

---

# Bracket for USB I/O Terminal products

## BRK-USB-Y User's Guide

CONTEC CO.,LTD.

---

Thank you for purchasing this product.

This is a metal fitting to fix CONTEC USB I/O Terminal Series.

Using this metal fitting, you can fix the Terminal anywhere you like with some screws.

### Product Configuration

This product is configured as follows. Be sure you have received all of the components listed. If any components are missing or broken, contact the store where you purchased this product.

Your registration card is essential for us to notify our customers of new products. Be sure to fill it out completely and return it.

- Bracket...2
- M2 x 5 sems screw...4
- User's Guide (this document)...1
- M3 x 6 binding head screw...4

### Using Method

1. Put the BRK-USB-Y between the Terminal and Interface Connector Plug that comes with the Terminal, and secure them using the attached M2 x 5 sems screws.
2. Then, fix the Terminal anywhere you like by screwing the attached M3 x 6 binding head screws into the holes at the four corners of BRK-USB-Y.

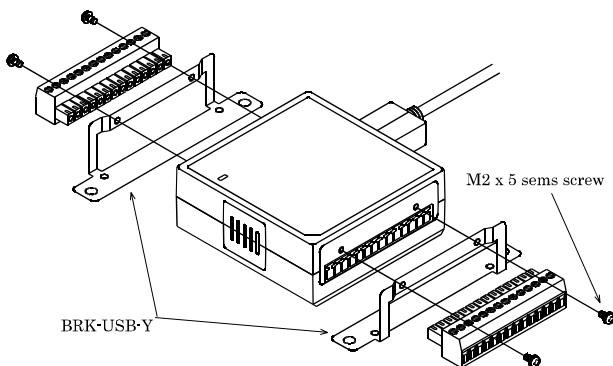


Figure 1. Using Method

## External View and Dimensions

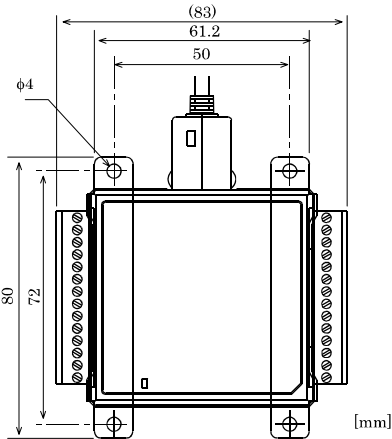


Figure 2. External View and Dimensions

## Specifications

Table 1. Specifications

Item	Specification
Weight	20g

### ⚠ CAUTION

- The specifications of this product are subject to change without notice for quality improvement. Even when using the product continuously, be sure to read the manual and understand the contents.
- Regardless of the foregoing statement, CONTEC assumes no responsibility for any errors that may appear in this document or for any results of using the product.
- Brand and product names are trademarks of their respective holder.
- All relevant issues have been considered in the preparation of this document. Should you notice an omission or any questionable item in this document, please feel free to notify CONTEC CO., LTD.

Copyright 2007 CONTEC CO., LTD. ALL RIGHTS RESERVED.

**CONTEC CO., LTD.**

3-9-31, Himesato, Nishiyodogawa-ku, Osaka 555-0025, Japan

Japanese <http://www.contec.co.jp/>

English <http://www.contec.com/>

Chinese <http://www.contec.com.cn/>

September 2007 Edition

A-51-515 (LYHW751)

[09272007]

No part of this document may be copied or reproduced in any form by any means without prior written consent of CONTEC CO., LTD.